

## TS400A-930 cabin light

Cabin ceiling light TS400A-930 is specially designed for low room heights and limited possibility for separate driver installation. Flat LED driver is installed into fixture construction but still has a possibility for maintenance.

The lighting fixture installation is very simple; fix the baseplate to ceiling, connect wires and twist-lock fixture to the base plate.

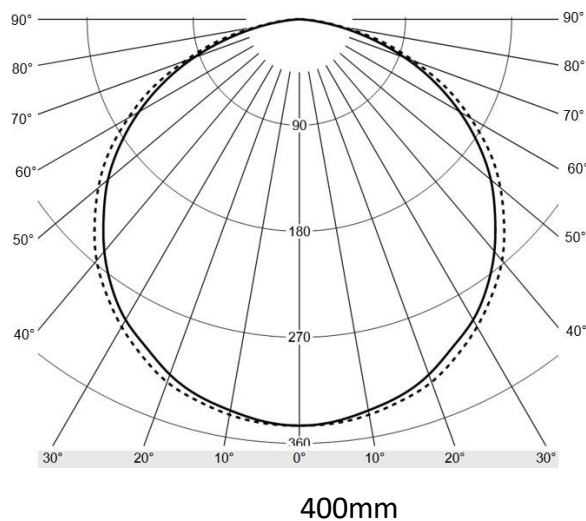
Perfect for B-0 or B-15 fire rated ceilings because there is no need for cut-outs in ceiling panels.



### Parameters

Product model	TS400A-930
Light efficiency	> 88 lm/W
Luminous flux	>1600 lm
Color temperature	3000K $\pm$ 100K
Beam angle	>120°
Total Power consumption	20W
DC output Current	500mA
DC output Voltage	2-40V
Net Weight	1250g $\pm$ 20g
Luminaire Dimensions	OD400mm/h25mm
Packing size	405 x 405 x 30 mm

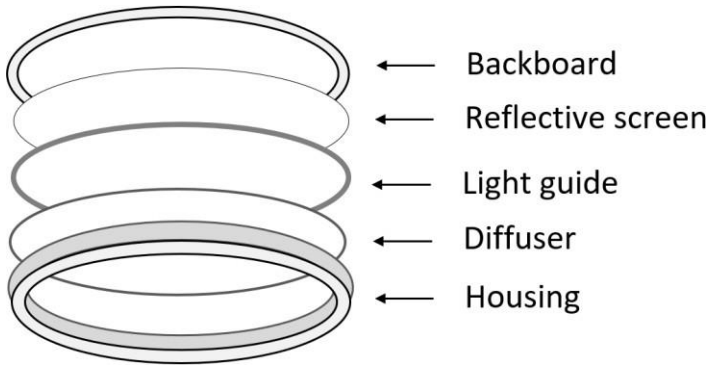
### Light distribution



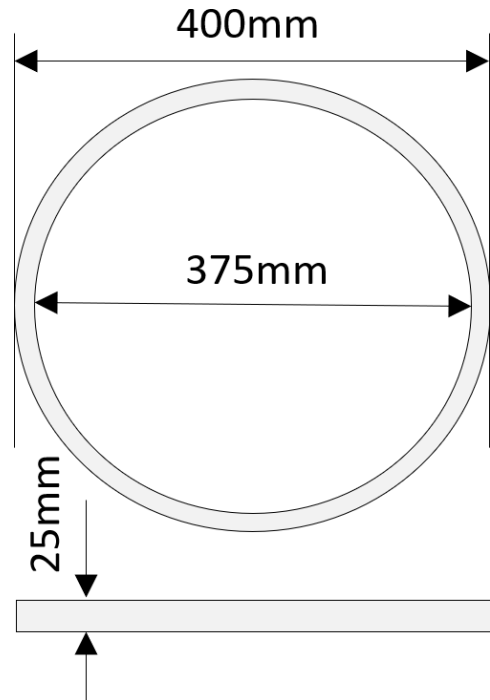
> 0.93	> 90 Ra	IP20	AC 220-240V	50/60Hz	On/Off
Power Factor	CRI	IP Level	Input Voltage	Power Frequency	Driver options

## TS400A-930 cabin light – break down

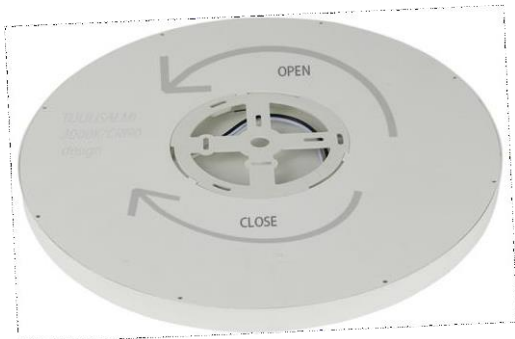
### Exploded view



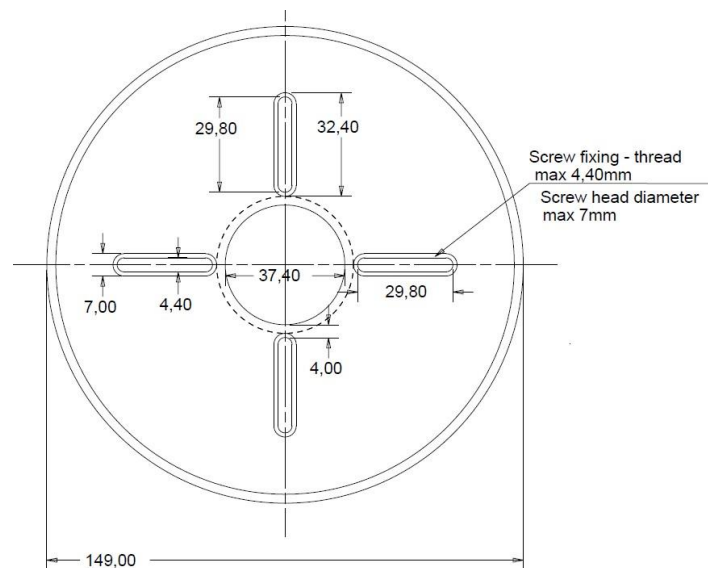
### Mechanical dimensions



### Baseplate removal



### Base plate dimensions



### Example about assembly

